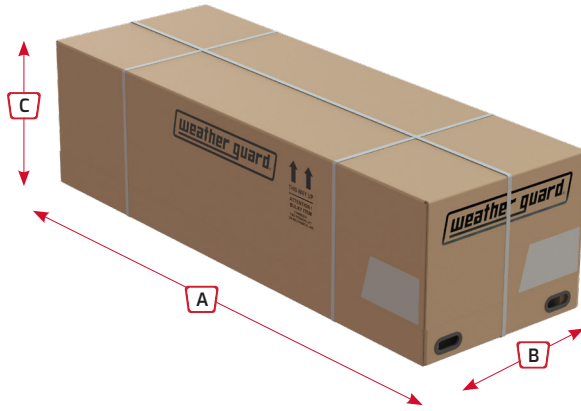


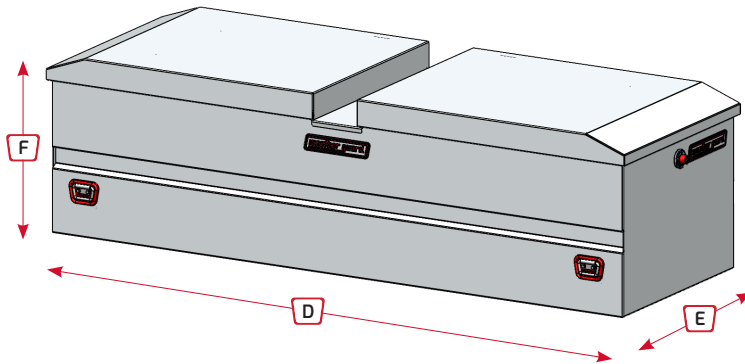
SPECIFICATION SHEET

UTE BOX - GULLWING

PACKAGED



PRODUCT



SPECIFICATIONS

- 1 Material**
Aluminium 3003 Series
- 2 Lock System**
Automotive Anti-Tamper
- 3 Latch Mechanism**
Automotive Dual Stage Rotary
- 4 Seals**
Memory Resistant D-Shaped Ribbed
- 5 Struts**
Automotive Grade
- 6 Fasteners**
Included
- 7 Finish**
Armor Tuf® - Powdercoat
- 8 Colour**
Clear or Gloss Black
- 9 Construction**
Multi-piece Fully Welded
- 10 Tie-Downs**
Load Rated - 150 Kg

*Image for illustrative purposes only.

DATA - GULLWING

PACKAGED			PRODUCT DATA				
Product Code	Product Description	Product EAN	A (mm)	B (mm)	C (mm)	PACKED WT(kg)	PACKED VOL(M³)
GW10012-BK	AL GULL WING 1770MM BLACK (351L)	9312097066779	1850	645	513	34.5	0.612
GW10013-CL	AL GULL WING 1770MM CLEAR (351L)	9312097066786	1850	645	513	34.5	0.612

PRODUCT			PRODUCT DATA				
Product Code	Product Description	Product EAN	D (mm)	E (mm)	F (mm)	Product WT(kg)	Product VOL(M³)
GW10012-BK	AL GULL WING 1770MM BLACK (351L)	9312097066779	1770	600	500	28.6	0.531
GW10013-CL	AL GULL WING 1770MM CLEAR (351L)	9312097066786	1770	600	500	28.6	0.531