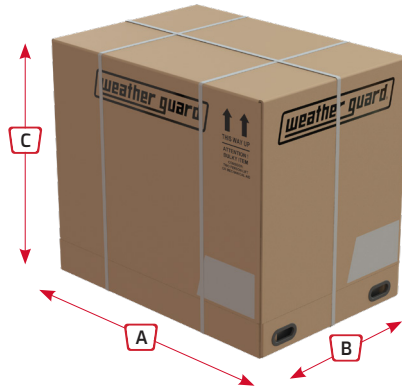


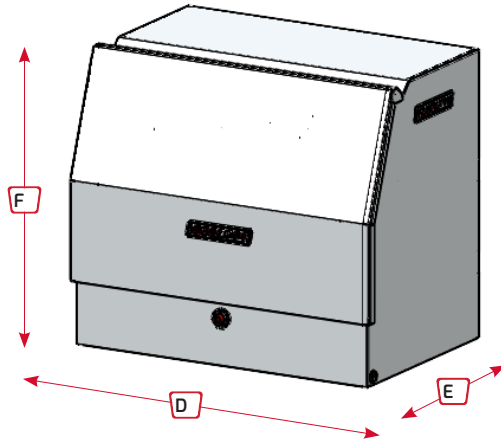
SPECIFICATION SHEET

**UTE BOX - UPRIGHT**

**PACKAGED**



**PRODUCT**



**SPECIFICATIONS**

- 1 Material**  
Aluminium 3003 Series
- 2 Lock System**  
Automotive Anti-Tamper
- 3 Latch Mechanism**  
Automotive Dual Stage Rotary
- 4 Seals**  
Memory Resistant D-Shaped Ribbed
- 5 Struts**  
Automotive Grade
- 6 Fasteners**  
Included
- 7 Finish**  
Armor Tuf® - Powdercoat
- 8 Colour**  
Clear or Gloss Black
- 9 Construction**  
Multi-piece Fully Welded
- 10 Tie-Downs**  
Load Rated - 150 Kg

\*Image for illustrative purposes only.

**DATA - UPRIGHT**

PACKAGED			PRODUCT DATA				
Product Code	Product Description	Product EAN	A (mm)	B (mm)	C (mm)	PACKED WT(kg)	PACKED VOL(M³)
UT10006-BK	AL UPRIGHT TOOL 900MM BLACK (310L)	9312097066717	955	660	813	26.6	0.512
UT10008-BK	AL UPRIGHT TOOL 1200MM BLACK (429L)	9312097066731	1255	660	813	32.2	0.673
UT10010-BK	AL UPRIGHT TOOL 1500MM BLACK (549L)	9312097066755	1555	660	813	37.8	0.834
UT10007-CL	AL UPRIGHT TOOL 900MM CLEAR (310L)	9312097066724	955	660	813	26.6	0.512
UT10009-CL	AL UPRIGHT TOOL 1200MM CLEAR (429L)	9312097066748	1255	660	813	32.2	0.673
UT10011-CL	AL UPRIGHT TOOL 1500MM CLEAR (549L)	9312097066762	1555	660	813	37.8	0.834

PRODUCT			PRODUCT DATA				
Product Code	Product Description	Product EAN	D (mm)	E (mm)	F (mm)	Product WT(kg)	Product VOL(M³)
UT10006-BK	AL UPRIGHT TOOL 900MM BLACK (310L)	9312097066717	900	600	800	21.8	0.432
UT10008-BK	AL UPRIGHT TOOL 1200MM BLACK (429L)	9312097066731	1200	600	800	26.5	0.576
UT10010-BK	AL UPRIGHT TOOL 1500MM BLACK (549L)	9312097066755	1500	600	800	31.2	0.720
UT10007-CL	AL UPRIGHT TOOL 900MM CLEAR (310L)	9312097066724	900	600	800	21.8	0.432
UT10009-CL	AL UPRIGHT TOOL 1200MM CLEAR (429L)	9312097066748	1200	600	800	26.5	0.576
UT10011-CL	AL UPRIGHT TOOL 1500MM CLEAR (549L)	9312097066762	1500	600	800	31.2	0.720